



安阳市瑞隆机械有限公司
Anyang Rarlong Machinery Co.,Ltd

专业技术 一至臻要求
Professional technology-Perfect requirements



RARLONG WHEEL



有内胎钢圈
TUBE WHEEL



无内胎钢圈
TUBELESS WHEEL



实心胎钢圈
SOLID TYRE WHEEL



电话/TEL : +86 - 182 7258 0963



邮箱/Email : jeff@rarlongmachinery.com



→ Our Factory and Team



3
配件制作
MANUFACTURE
OF COMPONENTS



大型矿用车轮 Large Mining Wheels

轮辋尺寸 Rim Size	应用实例 Application	推荐配用轮胎 Recommended Tyre
45-36.00/4.5	Komatsu WA800	45/65R45
49-17.00/3.5	CAT 777	24.00-49
49-19.50/4.0	Komatsu 785-7	27.00R49
51-24.00/5.0	CAT 785	33.00-51
51-26.00/5.0	SGE170	36.00-51
57-27.00/6.0	Terex MT3700	37.00R57
57-29.00/6.0	CAT 789	40.00-57
57-32.00/6.0	CAT 793	46/90R57
63-44.00/5.0	CAT 797	59/80R63

港机专用车轮 Port Machine Wheels

轮辋尺寸 Rim Size	应用实例 Application	推荐配用轮胎 Recommended Tyre
24-8.5/1.7	NOELL	12.00-24
24-10.00/1.7	KALMAR	14.00-24
24-10.00/2.0	FD250B	14.00-24
25-11.25/2.0	NOELL RTG	16.00-25
25-13.00/2.5	NOELL CS45KM	18.00-25
25-15.00/3.0	NOELL RTG	21.00-25
33-13.00/2.5	KALMAR	18.00-33
35-15.00/3.0	ZPMC RTG	21.00-35
49-19.50/4.0	游艇搬运机	27.00R49

轻载一件式车轮 Light Duty Single Piece Wheels

轮辋尺寸 Rim Size	应用实例 Application	推荐配用轮胎 Recommended Tyre
16.5X9.75	CLG385A	12-16.5
20XW14		17.5/65-20
24XW15		16.9-24
24XDW16		19.5-24
28XW9		10-28
28XDW14		16.9-28

中载三件式车轮 Medium Duty 3-Piece Wheels

轮辋尺寸 Rim Size	应用实例 Application	推荐配用轮胎 Recommended Tyre
25-8.5/1.5	TL870	13.00-25
25-10.00/1.5	SYM5840T	14.00-25
25-11.25/2.0	Manitowoc	16.00-25
25-14.00/1.5	CLG835	17.5-25
25-17.00/1.7	CLG842	20.5-25
25-19.50/2.5	CLG856	23.5-25
25-22.00/3.0	JGM761FT30	26.5-25
25-25.00/3.5	CLG888	29.5-25

轻载三件式车轮 Light Duty 3 Piece Wheels

轮辋尺寸 Rim Size	应用实例 Application	推荐配用轮胎 Recommended Tyre
24-10.00/1.7	CLG41B	14.00-24
25-12.00/1.3	CAT 910	15.5-25
25-14.00/1.5	CLG418	17.5-25
25-17.00/1.7	CAT 928G	20.5-25
26-20.00/1.1	CLG620	23.1-26



→ 中载五件式车轮 Medium Duty 5-Piece Wheels

轮辋尺寸 Rim Size	应用实例 Application	推荐配用轮胎 Recommended Tyre
25-17.00/2.0	CAT 950A	20.5-25
25-19.50/2.5	CAT 950G	23.5-25
25-22.00/3.0	CAT 980C	26.5-25
25-25.00/3.5	CAT 940B	29.5-25

→ 重载三件式车轮 Heavy Duty 3-Piece Wheels

轮辋尺寸 Rim Size	应用实例 Application	推荐配用轮胎 Recommended Tyre
15-11.5/1.5	DCY70K	32X14.5-15
20-8.5/1.7	YL190	12.00-20
20-10.00/1.7	JQ700	14.00-20
24-8.5/1.7	LCY30	12.00-24
24-10.00/11.7	FD180B	14.00-24
24-8.5/2.0	FD150B	12.00-24
24-10.00/2.0	FD250B	14.00-24
25-11.25/2.0	FD280B	16.00-25

→ 重载五件式车轮 Heavy Duty 5-Piece Wheels

轮辋尺寸 Rim Size	应用实例 Application	推荐配用轮胎 Recommended Tyre
25-11.25/2.0		16.00R25
25-17.00/2.0		20.5R25
25-19.50/2.5	CARRIE BGC80U	23.5R25
25-22.00/3.0	Komatsu WA500	26.5R25
25-25.00/3.5	Atlas Copco MT439B	29.5R25
29-25.00/3.5	CAT AD45B	29.5R29
35-15.00/3.0	CAT 773	21.00-35
35-17.00/3.5	Komatsu 465-7	24.00R35

→ 特殊用途车轮 Special Application Wheels

轮辋尺寸 Rim Size	应用实例 Application	推荐配用轮胎 Recommended Tyre
20-11.00/1.7	沙漠专用车	12.5-20
21-11 25/2.0	装甲越野车	16.00-21
21-17.00/2.0	沙漠专用车	1300X530-533
25-11.00/1.5	装甲越野车	1350X380
25-19.50/2.5	装甲越野车	23.5-25
42X27	支架搬运车DBT50	实心

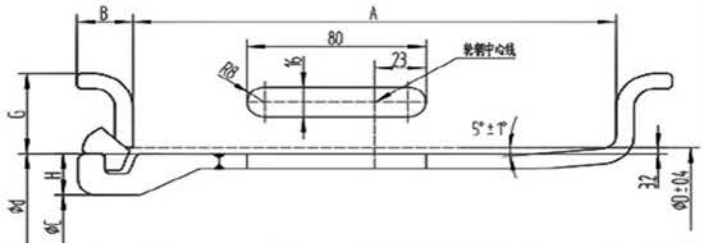
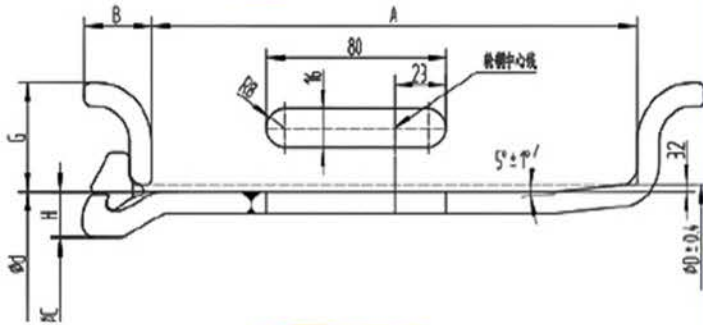
→ 其它型号 Other Application Wheels

轮辋尺寸 Rim Size	推荐配用轮胎 Recommended Tyre
20-8.0/2.0	11.00-20
20-13.00/1.0	16/70-20
21-18.00/1.7	24.00-21
22-17.00/2.0	20.5-22
23-18.00/2.0	14.00-23
23-18.00/2.0	24.00-23
24-11.25/2.0	16.00-24
25X12.00DC	15.5-25
25X13.00DC	17.5-25
39-32.00/45	40/65-39



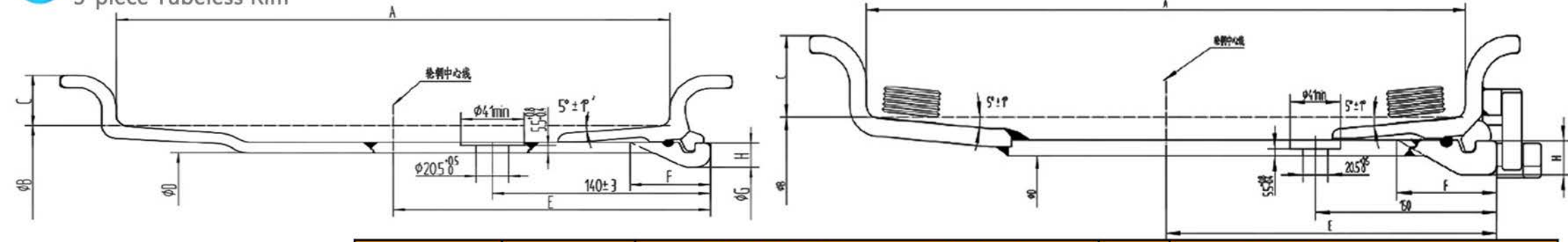
三件式无内胎车轮

3-piece Tubeless Rim



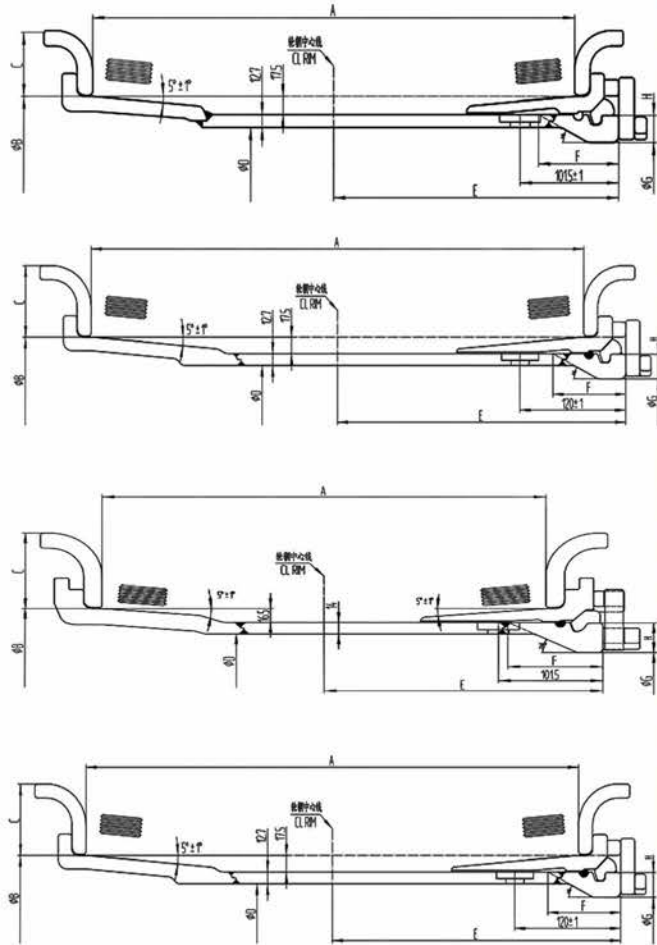
轮辋规格 Rim Size	推荐配用轮胎 Standard Tyre	主要参数尺寸Component Size(mm)							重量 Weight t(kg)	配件代码Accessories Code		
		A	B	G	D	d	C	H		轮辋体 Rim Body	挡圈 Side Ring	锁圈 Lock Ring
5.0-15	7.00-15/5.0	127	16.5	28	387.4	381	337	22	21.2	HY1505001103QS	SR1115QS	LR15QS
5.5-15	7.00-15/5.5	139.5	17.5	30.5	387.4	381	337	22	22	HY1555001203QS	SR1215QS	LR15QS
6.0-15	8.25-15/6.0	152.5	19	33	387.4	381	337	22	24	HY1506001303QS	SR1315QS	LR15QS
6.5-15	7.50-15/6.5	165.5	20	35.5	387.4	381	337	22	25.5	HY1506501403QS	SR1415QS	LR15QS
7.0-15	250-15/7.0	178	21.5	38	387.4	381	337	22	28	HY1507001503QS	SR1515QS	LR15QS
7.5-15	250-15/7.5	190.5	22.5	40.5	387.4	381	337	22	29.3	HY1507501603QS	SR1615QS	LR15QS
8.0-15	300-15/8.0	203	24	43	387.4	381	337	22	31.4	HY1508001703QS	SR1715QS	LR15QS
9.75-15	355/65-15	247.5	21.5	38	387.4	381	337	22	38.4	HY1509751503QS	SR1515QS	LR15QS
6.5-20	9.00-20/6.5	165	20	35.5	514.4	508	464	22	40.6	HY2006501403QS	SR1420QS	LR20QS
7.0-20	9.00-20/7.0	178	21.5	38	514.4	508	464	22	41.5	HY2007001503QS	SR1520QS	LR20QS
7.5-20	10.00-20/7.5	190.5	22.5	40.5	514.4	508	464	22	45	HY2007501603QS	SR1620QS	LR20QS
8.0-20	10.00-20/8.0	203	24	43	514.4	508	464	22	48	HY2008001703QS	SR1720QS	LR20QS
8.5-20	11.00-20/8.5	216	25	45.5	514.4	508	464	22	51	HY2008501803QS	SR1820QS	LR20QS
9.0-20	12.00-20/9.0	228.5	26.5	48.5	514.4	508	464	22	54	HY200901903QS	SR1920QS	LR20QS
10.0-20	14.00-20/10.0	254	28	51	514.4	508	464	22	60	HY2010002003QS	SR2020QS	LR20QS
8.5-24	11.00-24/8.5	216	25	45.5	616	610	464	22	61	HY24085001803QS	SR1820QS	LR24QS
10.0-24	14.00-2/10.0	254	28	51	616	610	464	22	72	HY2410002003QS	SR2020QS	LR24QS
11.75-24	16.00-24/11.75	298.5	28	45.5	616	610	464	22	82	HY2411751803QS	SR1820QS	LR24QS
7.5-20	10.00-20/7.5	190.5	22.5	40.5	514.4	508	470	19	43	HY2007501603WI	SR1620WI	LR20WI
8.0-20	10.00-20/8.0	203	24	43	514.4	508	470	19	45.6	HY2008001703WI	SR1720WI	LR20WI
8.5-20	11.00-20/8.5	216	25	45.5	514.4	508	470	19	48.4	HY2008501803WI	SR1820WI	LR20WI
9.0-20	12.00-20/9.0	228.5	26.5	48.5	514.4	508	470	19	51.3	HY200901903WI	SR1920WI	LR20WI
10.0-20	14.00-20/10.0	254	28	51	514.4	508	470	19	57	HY2010002003WI	SR2020WI	LR20WI
8.5-24	11.00-24/8.5	216	25	45.5	616	610	470	19	59	HY24085001803WI	SR1820WI	LR20WI
10.0-24	14.00-2/10.0	254	28	51	616	610	470	19	68	HY2410002003WI	SR2020WI	LR20WI

三件式无内胎车轮
3-piece Tubeless Rim



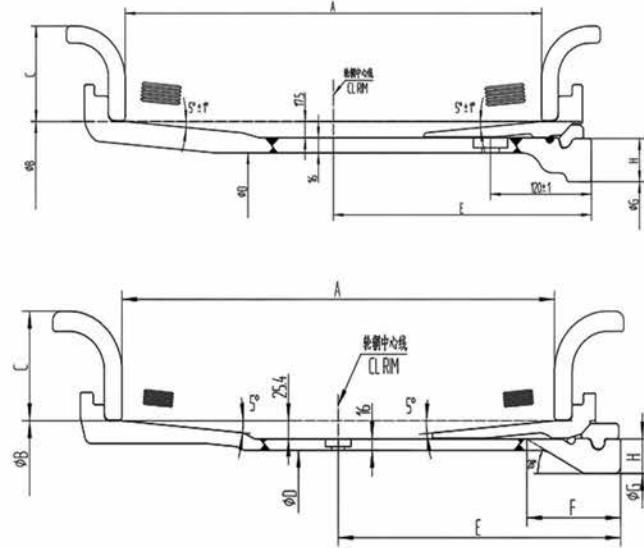
轮辋规格 Rim Size	推荐配用轮胎 Standard Tyre	主要参数尺寸Component Size(mm)								重量 Weight (kg)	配件代码Accessories Code		
		A	B	C	D	E	F	G	H		轮辋体 Rim Body	挡圈 Side Ring	锁圈 Lock Ring
20-10.00/1.7	14.00-20	254	514	43	473	140.2	51.6	476.4	18.2	54.4	HY2010001703T	FL1720T	LR20T
21-10.00/1.7	14.00-21	254	533	43	492	140.2	51.6	495.4	18.2	57.3	HY2110001703T	FL1721T	LR21T
21-18.00/1.5	24.00-21	475.2	533	38	492	250.8	51.6	495.4	18.2	78	HY2118001503T	FL1521T	LR21T
24-10.00/1.7	14.00-24	254	614	43	574	140.2	51.6	551	18.2	66.3	HY2410001703T	FL1724T	LR24T
25-10.00/1.5	14.00-25	254	635	38	594	140.2	51.6	597	18.2	68.5	HY2510001503T	FL1525T	LR25T
25-14.00/1.5	17.50-25	381	635	38	594	203.7	51.6	597	18.2	82	HY2514001503T	FL1525T	LR25T
25-17.00/1.7	20.50-25	430	635	43	568	228.2	51.6	597	18.2	87	HY2717001703T	FL1725T	LR25T
25-30.00/1.5	67×34.00-25	762	635	38	594	394.2	51.6	597	18.2	128	HY2530001503T	FL1525T	LR25T
25-36.00/1.5	66×44.00-25	914.4	635	38	594	470.4	51.6	597	18.2	143	HY2536001503T	FL1525T	LR25T
20-7.5/1.7	10.00-20	190.5	514	43	469	122	72.3	443	22.2	46	HY2007501703QS	FL1720QS	LR20QS
20-10.0/1.7	14.00-20	254	514	43	469	143	72.3	443	22.2	58	HY2010001703QS	FL1720QS	LR20QS
20-11.25/2.0	16.00-20	286	514	51	469	170	72.3	443	22.2	67	HY2011252003QS	FL2020QS	LR20QS
25-17.00/2.0	20.50-25	430	635	51	575	240.9	82.7	597	26.2	165	HY2517002003EM	FL2025EM	LR25EM
25-19.50/2.5	23.50-25	495	635	51	575	273.4	82.7	597	26.2	186	HY2519502503EM	FL2525EM	LR25EM
25-22.00/3.0	26.50-25	559	635	76	575	305.4	82.7	597	26.2	215	HY2522003003EM	FL3025EM	LR25EM
25-24.00/3.0	30/65-25	609.6	635	76	575	330.7	82.7	597	26.2	225	HY2524003003EM	FL3025EM	LR25EM
25-25.00/3.5	29.50-25	635	635	89	575	343.4	82.7	597	26.2	257	HY2525003503EM	FL3525EM	LR25EM

五件式无内胎车轮 5-piece Tubeless Rim



轮辋规格Rim Size	推荐配用轮胎 Standard Tyre	主要参数尺寸Component Size(mm)								重量 Weight (kg)	配件代码Accessories Code			
		A	B	C	D	E	F	G	H		轮辋体 Rim Body	挡圈 Side Ring	活动座圈 Bead Seat	锁圈 Lock Ring
25×10.00/1.5	14.00-25	254	635	38.1	574.6	173.3	82.7	546	27	125	HY2510001505EM	SR1525EM	BS25EMS01	LR25EM
25×11.25/2.0	16.00-25	285.8	635	50.8	574.6	185.7	82.7	546	27	136	HY2511252005EM	SR2025EM	BS25EMS01	LR25EM
25×13.00/2.5	18.00-25	330.2	635	63.5	574.6	211.4	82.7	546	27	166	HY2513002505EM	SR2525EM	BS25EMS01	LR25EM
25×14.00/1.5	17.5-25	356	635	38.1	574.6	224.1	82.7	546	27	153	HY2514001505EM	SR2155EM	BS25EMS01	LR25EM
25×15.00/3.0	21.00-25	381	635	76.2	574.6	236.5	82.7	546	27	188	HY2515003005EM	SR3025EM	BS25EMS01	LR25EM
25×17.00/2.0	20.5-25	431.8	635	50.8	574.6	262	82.7	546	27	167	HY2517002005EM	SR2025EM	BS25EMS01	LR25EM
25×19.50/2.5	23.5-25	495.3	635	63.5	574.6	293	82.7	546	27	195	HY2519502505EM	SR2025EM	BS25EMS01	LR25EM
33×13.00/2.5	18.00-33	330.2	838.2	63.5	574.6	211.4	82.7	749.2	27	223	HY3313002505EM	SR2533EM	BS33EMS01	LR33EM
25×13.00/2.5	18.00-25	330.2	635	63.5	574.6	211.4	82.7	546	27	178	HY2513002505EM	SR2525	BS25EML01	LR25EM
25×15.00/3.0	21.00-25	381	635	76.2	574.6	236.5	82.7	546	27	195	HY2515003006EM	SR3025	BS25EML01	LR25EM
25×22.00/3.0	26.5-25	558.8	635	76.2	574.6	328.6	82.7	546	27	223	HY2522003005EM	SR3025	BS25EML01	LR25EM
25×25.00/3.5	29.5-25	635	635	88.9	574.6	363.8	82.7	546	27	243	HY2525003505EM	SR3525	BS25EML01	LR25EM
25×24.00/3.0	30/65-25	610	635	76.2	574.6	352.7	82.7	546	27	234	HY2524003005EM	SR3025	BS25EML01	LR25EM
29×17.00/3.5	24.00-29	431.8	736.6	88.9	676.2	263.6	82.7	647.6	27	255	HY2917003505EM	SR3529	BS29EML01	LR29EM
29×22.00/3.0	26.50-29	558.8	736.6	76.2	676.2	327.1	82.7	647.6	27	273	HY2922003005EM	SR3029	BS29EML01	LR29EM
33×13.00/2.5	18.00-33	330.2	838.2	62.5	777.8	212.8	82.7	803.2	27	225	HY3313002505EM	SR2533	BS33EML01	LR33EM
33×17.00/3.5	24.00-33	431.8	838.2	88.9	777.8	263.6	82.7	803.2	27	283	HY3317003505EM	SR3533	BS33EML01	LR33EM
33×28.00/3.5	35/65-33	711.2	838.2	88.9	777.8	403.3	82.7	803.2	27	347	HY3328003505EM	SR3533	BS33EML01	LR33EM
35×15.00/3.0	18.00-35	381	889	76.2	828.6	238.2	82.7	854	27	276	HY3513003005EM	SR3035	BS35EML01	LR35EM
35×17.00/3.5	21.00-35	431.8	889	88.9	828.6	263.6	82.7	854	27	309	HY3517003505EM	SR3535	BS35EML01	LR35EM
29×17.00/3.5	24.00-29	431.8	736.6	88.9	676.2	261.9	90.6	631.8	35	256	HY2917003505EM	SR3529	BS29EML01	LR29EM
29×22.00/3.0	26.50-29	558.8	736.6	76.2	676.2	328.6	90.6	631.8	35	273	HY2922003005EM	SR3029	BS29EML01	LR29EM
29×24.00/3.0	30/65-29	609.6	736.6	76.2	676.2	355.2	90.6	631.8	35	289	HY2924003005EM	SR3029	BS29EML01	LR29EM
29×24.00/3.5	26.5-29	609.6	736.6	88.9	676.2	355.2	90.6	631.8	35	204	HY2924003505EM	SR3529	BS29EML01	LR29EM
29×25.00/3.5	29.5-29	635	736.6	88.9	676.2	363.5	90.6	631.8	35	301	HY2925003505EM	SR3529	BS29EML01	LR29EM
33×13.00/2.5	18.00-33	330.2	838.2	62.5	777.8	205.6	90.6	733.4	35	253	HY3313002505EM	SR2533	BS33EML01	LR33EM
33×17.00/3.5	24.00-33	431.8	838.2	88.9	777.8	261.9	90.6	733.4	35	282	HY3317003505EM	SR3533	BS33EML01	LR33EM
33×28.00/3.5	35/65-33	711.2	838.2	88.9	777.8	405.7	90.6	733.4	35	328	HY3328003505EM	SR3533	BS33EML01	LR33EM
35×15.00/3.0	18.00-35	381	889	76.2	828.6	236.5	90.6	784.2	35	292	HY3513003005EM	SR3035	BS35EML01	LR35EM
35×17.00/3.5	21.00-35	431.8	889	88.9	828.6	261.9	90.6	784.2	35	323	HY3517003505EM	SR3535	BS35EML01	LR35EM
33×13.00/2.5	18.00-33	330.2	838.2	63.5	777.2	220.4	90.6	768	35	251	HY3313002505EV	SR2533	BS33EV	LR33EV
33×22.00/4.0	27.00-33	558.8	838.2	101.6	777.2	334.7	90.6	768	35	301	HY3322004005EV	SR4033	BS33EV	LR33EV
33×28.00/3.5	35/65-33	711.2	838.2	88.9	777.2	410.9	90.6	768	35	327	HY3328003505EV	SR3533	BS33EV	LR33EV
33×28.00/4.0	33.5-33	711.2	838.2	101.6	777.2	410.9	90.6	768	35	385	HY3332004005EV	SR4033	BS33EV	LR33EV
35×15.00/3.0	21.00-35	381	889	76.2	828	245.8	90.6	818.8	35	292	HY3515003005EV	SR3035	BS35EV	LR35EV
35×17.00/3.5	24.00-35	431.8	889	88.9	828	271.2	90.6	818.8	36	323	HY3517003505EV	SR3535	BS35EV	LR35EV

五件式无内胎车轮 5-piece Tubeless Rim

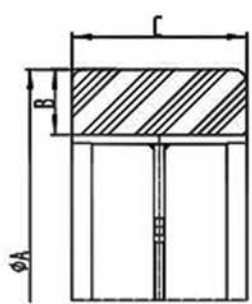
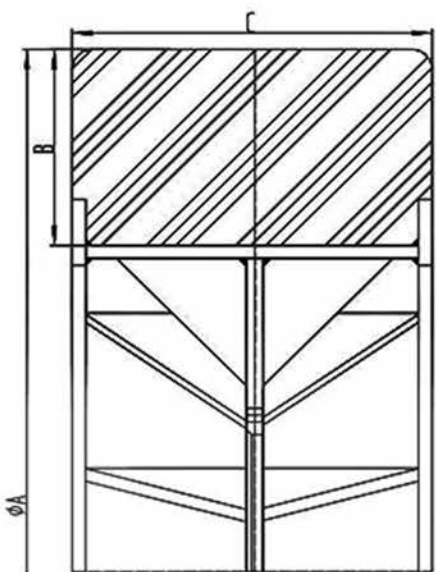


轮辋规格 Rim Size	推荐配用轮胎 Standard Tyre	主要参数尺寸 Component Size (mm)									重量 Weight (kg)	配件代码 Accessories Code			
		A	B	C	D	E	F	G	H	轮辋体 Rim Body		挡圈 Side Ring	活动座圈 Bead Seat	锁圈 Lock Ring	
35×27.00/3.5	33.25-35	685.6	889	88.9	828	398.1	90.6	818.8	36	528	HY3527003505EV	SR3535	BS35EV	LR35EV	
35×31.00/4.0	37.25-35	787.4	889	101.6	828	449	90.6	818.8	36	569	HY3531004005EV	SR4035	BS35EV	LR35EV	
39×28.00/4.0	33.5-39	711.2	990.6	101.6	929.6	410.9	90.6	920.4	36	493	HY3928004005EV	SR4039	BS39EV	LR39EV	
39×32.00/4.0	40/65-39	812.8	990.6	101.6	929.6	461.7	90.6	920.4	36	529	HY3932004005EV	SR4039	BS39EV	LR39EV	
39×32.00/4.5	41.25/70-39	812.8	990.6	114.3	929.6	461.7	90.6	920.4	36	562	HY3932004505EV	SR4539	BS39EV	LR39EV	
45×36.00/4.5	45/65-45	914.4	1143	114.3	1082	512.5	90.6	1020	36	739	HY4536004505EV	SR4545	BS45EV	LR45EV	
49×15.00/3.0	21-49	381	1244.6	76.2	1184	245.8	90.6	1174	36	457	HY4915003005EV	SR3049	BS49EV	LR49EV	
49×17.00/3.5	24-40	431.8	1244.6	88.9	1184	271.2	90.6	1174	36	489	HY4917003505EV	SR3549	BS49EV	LR49EV	
49×19.50/4.0	27.00-49	495.3	1244.6	101.6	1184	303	90.6	1174	36	537	HY4919504005EV	SR4049	BS49EV	LR49EV	
49×22.00/3.5	31/80-49	558.8	1244.6	114.3	1184	334.7	90.6	1174	36	553	HY4922003505EV	SR4049	BS49EV	LR49EV	
33×22.00/4.0	27.00-33	558.8	838.2	101.6	771.2	335		710.7	47	391	HY3322004005EV	SR4033	BS33EV	LR33EV	
33×28.00/3.5	35/65-33	711.2	838.2	88.9	771.2	411.1		710.7	47	403	HY3328003505EV	SR3533	BS33EV	LR33EV	
33×28.00/4.0	33.5-33	711.2	838.2	101.6	771.2	411.1		710.7	47	412	HY3332004005EV	SR4033	BS33EV	LR33EV	
33×32.00/4.5	37.5-33	812.8	838.2	88.9	771.2	464.3		710.7	47	452	HY3332004505EV	SR4533	BS33EV	LR33EV	
35×27.00/3.5	33.25-35	685.6	889	88.9	822	395.3		761.6	47	396	HY3527003505EV	SR3535	BS35EV	LR35EV	
35×31.00/4.0	37.25-35	787.4	889	101.6	822	451.6		761.6	47	462	HY3531004005EV	SR4035	BS35EV	LR35EV	
39×28.00/4.0	33.5-39	711.2	990.6	101.6	923.6	411.1		863.2	47	492	HY3928004005EV	SR4039	BS39EV	LR39EV	
39×32.00/4.0	40/65-39	812.8	990.6	101.6	923.6	464.3		863.2	47	529	HY3932004005EV	SR4039	BS39EV	LR39EV	
39×32.00/4.5	41.25/70-39	812.8	990.6	114.3	923.6	464.3		863.2	47	552	HY3932004505EV	SR4539	BS39EV	LR39EV	
45×36.00/4.5	45/65-45	914.4	1143	114.3	1076	515.1		1016	47	739	HY4536004505EV	SR4545	BS45EV	LR45EV	
49×17.00/3.5	24.00-40	431.8	1244.6	88.9	1178	273		1117	47	486	HY4917003505EV	SR3549	BS49EV	LR49EV	
49×19.50/4.0	27.00-49	495.3	1244.6	101.6	1178	304.8		1117	47	547	HY4919504005EV	SR4049	BS49EV	LR49EV	
51×22.00/4.5	30.00-51	558.8	1295.4	114.3	1213	379.5	149	710.7	48	895	HY5122004505HD	SR4551	BS51HD	LR51HD	
51×24.00/5.0	33.00-51	609.6	1295.4	127	1213	404.9	149	710.7	48	963	HY5124005005HD	SR5051	BS51HD	LR51HD	
51×26.00/5.0	36.00-51	660.4	1295.4	127	1213	430.3	149	710.7	48	975	HY5126005005HD	SR5051	BS51HD	LR51HD	
51×40.00/4.5	50/60-51	1016	1295.4	114.3	1213	608	149	710.7	48	1323	HY5140004505HD	SR4551	BS51HD	LR51HD	
57×27.00/6.0	37.00-57	685.8	1447.8	152.4	1365	443	149	761.6	48	1251	HY5727006005HD	SR6057	BS57HD	LR57HD	
57×29.00/6.0	40.00-57	736.6	1447.8	152.4	1365	470	149	761.6	48	1268	HY5729006005HD	SR5057	BS57HD	LR57HD	
57×32.00/5.0	44/80-57	812.8	1447.8	127	1365	507	149	863.2	48	1383	HY5732005005HD	SR5057	BS57HD	LR57HD	
57×32.00/6.0	46/90-57	812.8	1447.8	152.4	1365	512	149	863.2	48	1401	HY5732006005HD	SR6057	BS57HD	LR57HD	
57×32.00/6.5	48/95-57	812.8	1447.8	165.1	1365	512	149	863.2	48	1422	HY5732006505HD	SR6557	BS57HD	LR57HD	
57×34.00/6.0	50/90-57	863.6	1447.8	152.4	1365	534.4	149	1016	48	1635	HY5734006005HD	SR6057	BS57HD	LR57HD	
57×36.00/6.0	50/80-57	914.4	1447.8	152.5	1365	584.2	149	1117	48	1538	HY5736006005HD	SR6057	BS57HD	LR57HD	
57×44.00/5.0	55/80-57	1117.6	1447.8	127	1365	685.8	149	1117	48	1837	HY5744005005HD	SR5057	BS57HD	LR57HD	
57×44.00/6.0	55.5/80-57	1117.6	1447.8	152.4	1365	685.8	149	1117	48	1913	HY5744006005HD	SR6057	BS57HD	LR57HD	
57×47.00/5.0	60/85-57	1193.8	1447.8	127	1365	701	149	1117	48	1851	HY5747005005HD	SR5057	BS57HD	LR57HD	
57×47.00/6.0	58/85-57	1193.8	1447.8	152.4	1365	701	149	1117	48	1866	HY5747006005HD	SR6057	BS57HD	LR57HD	
63×36.00/5.0	53/80-63	914.4	1600.2	127	190.5	615.2				2653	HY6336005005HD	FL1720T	BS63HD	LR20T	
63×41.00/5.0	55/80-63	1041.4	1600.2	127	190.5	678.7				2828	HY6341005005HD	FL1721T	BS63HD	LR21T	
63×44.00/5.0	58/80-63 59/80-63	1117.6	1600.2	127	190.5	701.8				2927	HY6344005005HD	FL1521T	BS63HD	LR21T	

辐板圈

Disc Wheel

规格	厚度	宽度	内径	最小直径	最大直径
Size (inch)	Thickness	Width	Inside	Min-Dia	Max-Dia
宽度×内径	(±0.5)mm	(0/-0.5) mm	mm	mm	mm
4×4	6/8	101.6	101.22	101.016	101.422
4.5×4.5	6/8	114.3			
4×5	6/8	101.6	126.49	126.289	126.695
5×5	6/8	127	126.49	126.289	126.695
2.5×6	8	63.5	151.89	151.689	152.095
3.5×6	8	88.9	151.89	151.689	152.095
3×6 1/4	8	76.2	158.24	158.039	158.445
4×6 1/4	8	1.61	158.24	158.039	158.445
5×6 1/4	8	127	158.24	158.039	158.445
6×6 1/4	8	152.4	158.24	158.039	158.445
7×6 1/4	8	177.8	158.24	158.039	158.445
3×6 1/2	8	76.2	164.59	164.389	164.795
4×6 1/2	8	101.6	164.59	164.389	164.795
4 3/4×6 1/2	8	120.65	164.59	164.389	164.795
5×6 1/2	8	127	164.59	164.389	164.795
2.5×8	8	63.5	202.69	202.489	202.895
3×8	8	76.2	202.69	202.489	202.895
3.5×8	8	88.9	202.69	202.489	202.895
4×8	8	101.6	202.69	202.489	202.895
4.5×8	8	114.3	202.69	202.489	202.895
5×8	8	127	202.69	202.489	202.895
5.5×8	8	139.7	202.69	202.489	202.895
6.5×8	8	165.1	202.69	202.489	202.895
5×10	8	127	253.37	253.162	253.568
5.5×10	8	139.7	253.37	253.162	253.568
6×10	8	152.4	253.37	253.162	253.568
5×10 1/2	8	127	266.07	265.862	266.268
6×10 1/2	8	152.4	266.07	265.862	266.268
7×10 1/2	8	177.8	266.07	265.862	266.268
3×11 1/4	8/10	76.2	285.12	284.912	285.318
3.5×11 1/4	8/10	88.9	285.12	284.912	285.318
4×11 1/4	8/10	101.6	285.12	284.912	285.318
5×11 1/4	8/10	127	285.12	284.912	285.318
6×11 1/4	8/10	152.4	285.12	284.912	285.318
7×11 1/4	8/10	177.8	285.12	284.912	285.318
8×11 1/4	8/10	203.2	285.12	284.912	285.318
9×11 1/4	8/10	228.6	285.12	284.912	285.318
3.5×12 1/8	8/10	88.9	307.34	307.137	307.543
5×12 1/8	8/10	127	307.34	307.137	307.543
6×12 1/8	8/10	152.4	307.34	307.137	307.543



规格	厚度	宽度	内径	最小直径	最大直径
Size (inch)	Thickness	Width	Inside	Min-Dia	Max-Dia
宽度×内径	(±0.5)mm	(0/-0.5) mm	mm	mm	mm
7×12 1/8	8/10	177.8	307.34	307.137	307.543
8×12 1/8	8/10	203.2	307.34	307.137	307.543
9×12 1/8	8/10	228.6	307.34	307.137	307.543
5×14	8/10	127	354.97	354.762	355.168
6×14	10/12	152.4	354.97	354.762	355.168
7×14	10/12	177.8	354.97	354.762	355.168
9×14	10/12	228.6	354.97	354.762	355.168
12×14	10/12	304.8	354.97	354.762	355.168
5×15	10/12	127	380.14	379.933	380.34
6×15	10/12	152.4	380.14	379.933	380.34
7×15	10/12	177.8	380.14	379.933	380.34
8×15	10/12	203.2	380.14	379.933	380.34
9×15	10/12	228.6	380.14	379.933	380.34
12×15	10/12	304.8	380.14	379.933	380.34
5×16	10/12	127	405.54	405.333	405.74
6×16	10/12	152.4	405.54	405.333	405.74
7×16	10/12	177.8	405.54	405.333	405.74
8×16	10/12	203.2	405.54	405.333	405.74
9×16	10/12	228.6	405.54	405.333	405.74
10×16	10/12	254	405.54	405.333	405.74
12×16	10/12	304.8	405.54	405.333	405.74
14×16	10/12	355.6	405.54	405.333	405.74
16×16	10/12	406.4	405.54	405.333	405.74
6×17 3/4	10/12	152.4	449.99	449.783	450.19
7×17 3/4	10/12	177.8	449.99	449.783	450.19
8×17 3/4	10/12	203.2	449.99	449.783	450.19
9×17 3/4	10/12	228.6	449.99	449.783	450.19
10×17 3/4	10/12	254	449.99	449.783	450.19
12×17 3/4	10/12	304.8	449.99	449.783	450.19
14×17 3/4	10/12	355.6	449.99	449.783	450.19
5×20	10/12	127	506.88	506.679	507.086
10×22	10/12	254	557.68	557.479	557.886
12×22	10/12	304.8	557.68	557.479	557.886
14×22	10/12	355.6	557.68	557.479	557.886
15×22	10/12	381	557.68	557.479	557.886
16×22	10/12	406.4	557.68	557.479	557.886
10×30	10/12	254	760.35	760.146	760.552
12×30	10/12	304.8	760.35	760.146	760.552
14×30	10/12	355.6	760.35	760.146	760.552
16×30	10/12	406.4	760.35	760.146	760.552

压配圈
Pressed-on Wheel



序号 Number	规格 Specification	序号 Number	规格 Specification	序号 Number	规格 Specification
1	8x20-3/8"	27	53x8x17	54	68x10x24
2	9.5x17.75-3/8"	28	54x4x18	55	69x11x28
3	10.5x20-3/8"	29	54x7x14	56	69x15x28
4	10x20-3/8"	30	54x8x26	57	69x17x28
5	22x7x17-3/4	31	55x5x17	58	71x11x28
6	22x9x16	32	55x7x18	59	71x12x14
7	31x5x7	33	55x10x18	60	73x12x31
8	31x5x9	34	55x12x8	61	73x13x28
9	31x6x10	35	56x8x14	62	73x14x21
10	30x5x16	36	57x8.5x16.5	63	73x18x31
11	33x6x8	37	58x7x14	64	75x11x31
12	33x6x10	38	59x9x18	65	75x13x31
13	33x6x11	39	59x9x20.5	66	78x17x21
14	36x7x11	40	59x12x20	67	80x15x31
15	42x6x18	41	61x8x21	68	80x18x35
16	43x6x14.5	42	62x7x21	69	10x16.5
17	45x6x14	43	62x9x17	70	12x16.5
18	46x6x18	44	62x9x20.5	71	12.5x20
19	48x7x30	45	62x13x21	72	14x17.5
20	49x6x14	47	63x6x26	73	15x25
21	51x8x13	48	63x11x18	74	17.5x25
22	52x6x16	49	66x9x21	75	20.5x25
23	52x6x24	50	66x9x24	76	23.5x25
24	52x9x14	51	66x10x20	77	26.5x25
25	52x10x33	52	66x10x35	78	29.5x25
26	53x5x14	53	66x16x24		

阴极电泳，面漆企业执行标准

ED-primer+Top Painting Enterprise's Standard

注明：以下均为烤漆
Note: Belows are baking coating

阴极电泳底漆涂装企业执行标准 (编号: Q/HYW01-10)

ED-coating-Primer Enterprise's Executive Standard(No.Q/HYW01-10)

检测项目 Item	外观 Appearance	厚度 Coat Thickness	光泽 Gloss	附着力 Adhesion	硬度 Hardness	耐冲击 Impact	耐盐雾性 Salt Spray		耐水 Water Resistance	弹性 Elasticity
							A	B		
指标 Requirement	平整光滑 Flat and smooth	20±5μm	≥50°	0级 0 Grade	1-3H	50Kgcm	>1000h	480h	1mm	
方法 Test Method	目测 Visual Assessment	测厚仪 Thickness Gage	光泽仪 Gloss Meter	附着力测定仪 Adhesion Tester	铅笔测定法 Pencil Hardness	冲击试验器 Impact Tester	盐雾试验机 Salt Spray Tester		弹性测定器 Elasticity Tester	
标准 Assessment Method			GB9754	GB1720	GB6739	GB1732	GB/T1771	GB/T1733	GB1731	

各式粉末面漆涂装企业执行标准 (编号: Q/HYW02-10)

Powder Coating-Top Enterprise's Executive Standard(No.Q/HYW02-10)

检测项目 Item	外观 Appearance	厚度 Coat Thickness	光泽 Gloss	附着力 Adhesion	硬度 Hardness	耐冲击 Impact	耐盐雾性 Salt Spray				耐候性 Weathering Resistance	色差Color Deviation 总色差 ΔE Permitted Deviation	无铅无毒 LeadFree
							A	B	C	D			
指标 Requirement	平整,光滑,均匀, 无明显流痕 Flat, smooth, even, no flow	40-120μm	≥95°	0级 0 Grade	H	50Kgcm	≥650h	≥800h	≥1000h	合格(实样 户外3-5年) 3-5years Field Test	≤0.6	八大重金属 含量(低于) 欧洲标准 Equal or lower than Euro Standard	
方法 Test Method	目测 Visual Assessment	测厚仪 Thickness Gage	光泽仪 Gloss Meter	附着力 测定仪 Adhesion Tester	铅笔测定法 Pencil Hardness	冲击试验器 Impact Tester	盐雾试验机 Salt Spray Tester				色差仪 Colorimeter		
标准 Assessment Method			GB9754	GB1720	GB6739	GB1732	GB/T1771				GB/T1767	GB11186.1.2-89	

各式水性面漆涂装企业执行标准 (编号: Q/HYW03-10)

Wet Painting-Top Enterprise's Executive Standard(No.Q/HYW03-10)

检测项目 Item	外观 Appearance	厚度 Coat Thickness	光泽 Gloss	附着力 Adhesion	硬度 Hardness	耐冲击 Impact	耐盐雾性 Salt Spray				耐候性 Weathering Resistance	弹性 Elasticity	耐水性 Water Resistance
							A	B	C	D			
指标 Requirement	平整,光滑,均匀, 无明显流痕 Flat, smooth, even, no flow	25-60μm	50±5°	<2级 2 Grade	HB	50Kgcm	≥650h	≥800h	≥1000h	12个月 12Months	1mm	72h	
方法 Test Method	目测 Visual Assessment	测厚仪 Thickness Gage	光泽仪 Gloss Meter	附着力 测定仪 Adhesion Tester	铅笔测定法 Pencil Hardness	冲击试验器 Impact Tester	盐雾试验机 Salt Spray Tester				弹性测定器 Elasticity Tester		
标准 Assessment Method			GB9754	GB1720	GB/T6739	GB/T1732	GB/T1771				GB/T1767	GB/T1731	GB/T1733

各式油漆面漆涂装企业执行标准 (编号: Q/HYW04-10)

Various Top Painting Enterprise's Executive Standard(No.Q/HYW04-10)

检测项目 Item	外观 Appearance	厚度 Coat Thickness	光泽 Gloss	附着力 Adhesion	硬度 Hardness	耐冲击 Impact	耐盐雾性 Salt Spray				耐候性 Weathering Resistance	弹性 Elasticity	耐水性 Water Resistance
							A	B	C	D			
指标 Requirement	平整,光滑,均匀, 无明显流痕 Flat, smooth, even, no flow	25-60μm	≥60°	2级 2 Grade	HB	50Kgcm	≥650h	≥800h	≥1000h	12个月 12Months	1mm	72h	
方法 Test Method	目测 Visual Assessment	测厚仪 Thickness Gage	光泽仪 Gloss Meter	附着力 测定仪 Adhesion Tester	铅笔测定法 Pencil Hardness	冲击试验器 Impact Tester	盐雾试验机 Salt Spray Tester				弹性测定器 Elasticity Tester		
标准 Assessment Method			GB9754	GB1720	GB6739	GB1732	GB/T1771				GB/T1767	GB1731	GB/T1733